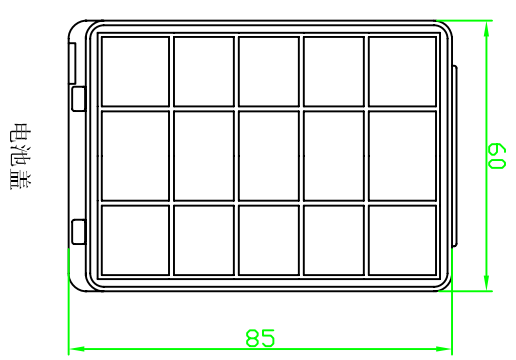
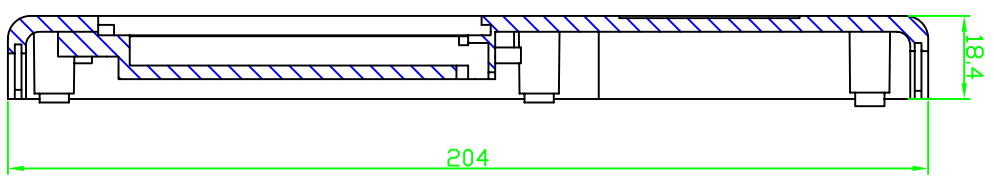
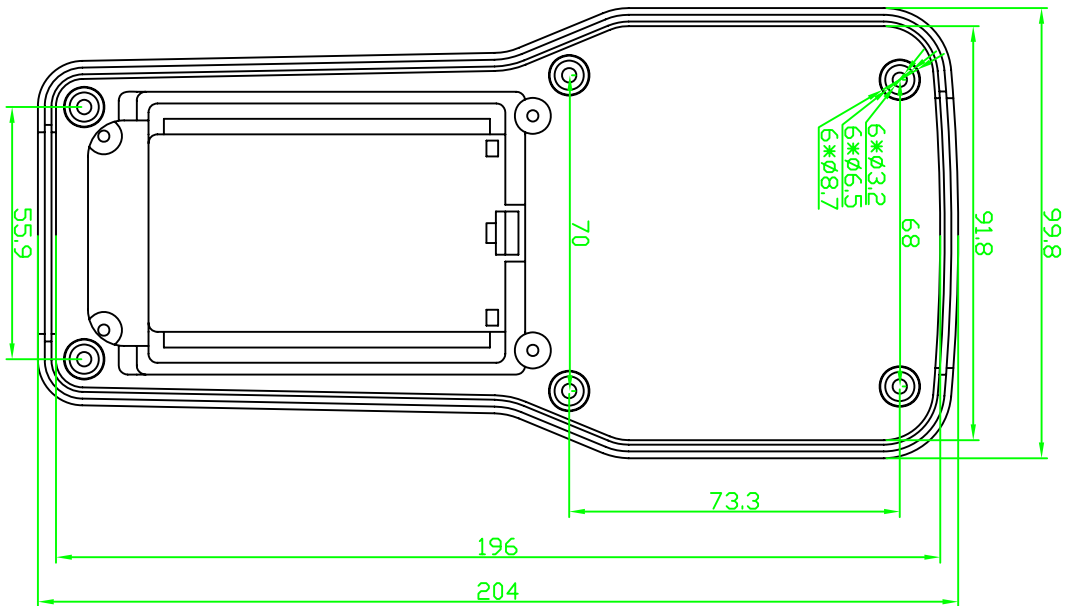


REVISION RECORD			
REV	ECD	DESCRIPTION	DRFT



DETACHED LISTS		DATE	DATE
DRFTD	CHKD	DATE	DATE
MFD	MFD	DATE	DATE
APPLY	APPLY	DATE	DATE
MATERIAL: ABS		DATE	
QTY: 1		DATE	
FINISH:		DATE	
SCALE: 1:1		DATE	
FIRST ANGLE PROJECTION		DATE	
TOLERANCES EXCEPT AS NOTED		DATE	
MM	INCH	±	±
0.1 ± 0.3	0.00 ± 0.2	±	±
0.00 ± 0.1	0.00 ± 0.1	±	±
ANGLES ± 5°		DATE	

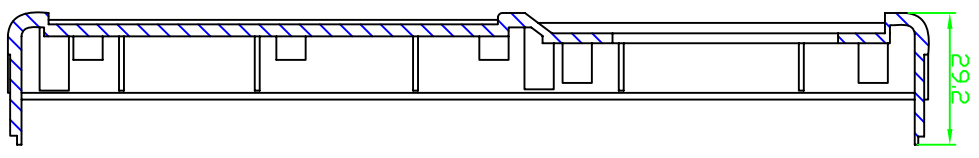
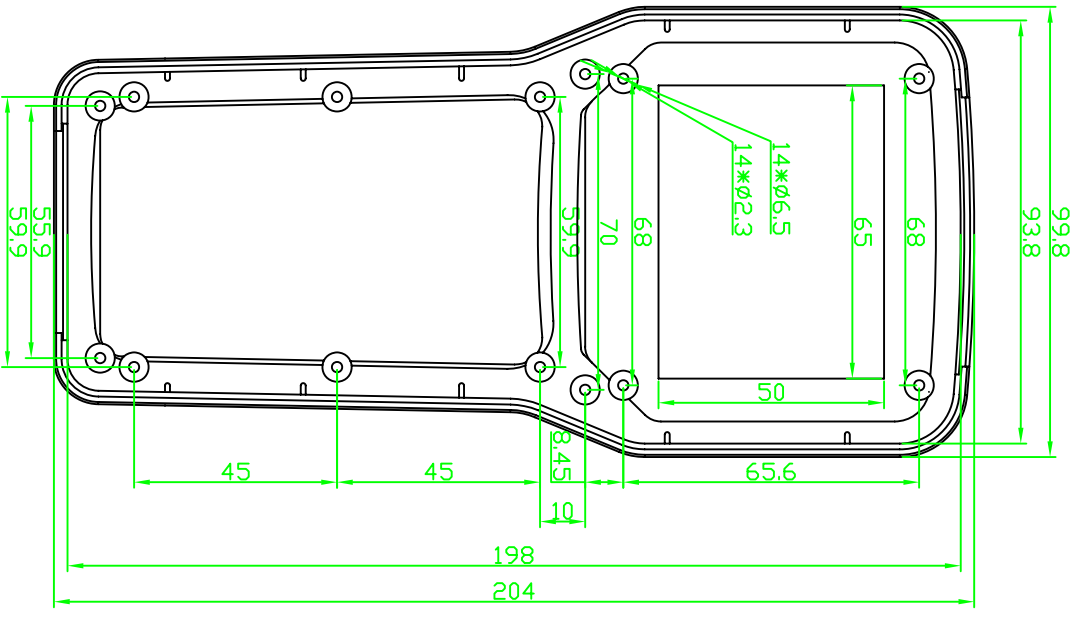
埃弗勒斯
EVEREST
WWW.EVERESTCASE.COM

TITLE
PH032

DRAWING NO. PH032
/PART NO. 00
SIZE A4
REV

DD NOT SCALE DRAWING
SHEET 1 OF 1

REVISION RECORD			
REV	ECD	DESCRIPTION	DRFT



DETACHED LISTS		TOLERANCES EXCEPT AS NOTED		ANGLES ± 5°	
MM	(INCH)	MM	(INCH)	MM	(INCH)
0.1 ± 0.3		±		±	
0.00 ± 0.02		±		±	
0.00 ± 0.01		±		±	

DRFTD	DATE	DRFTD	DATE
CHKD	DATE	CHKD	DATE
MFD	DATE	MFD	DATE
APPLY	DATE	APPLY	DATE

MATERIAL: ABS

QTY: 1

FINISH:

SCALE: 1:1

FIRST ANGLE PROJECTION

埃弗勒斯
EVEREST
WWW.EVERESTCASE.COM

TITLE
PH032

DRAWING NO. PH032
/PART NO. 00
DD NOT SCALE DRAWING
SHEET 1 OF 1

SIZE
A4
REV