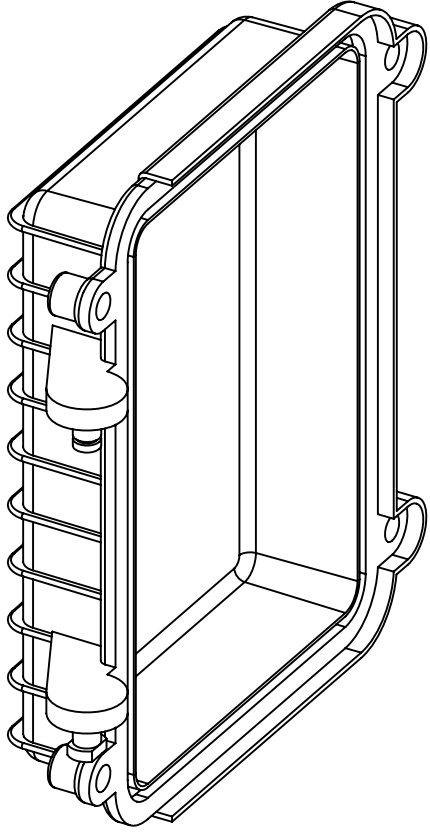
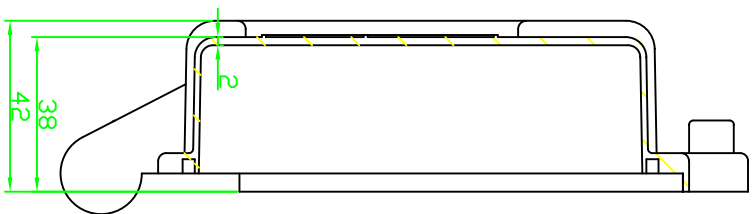
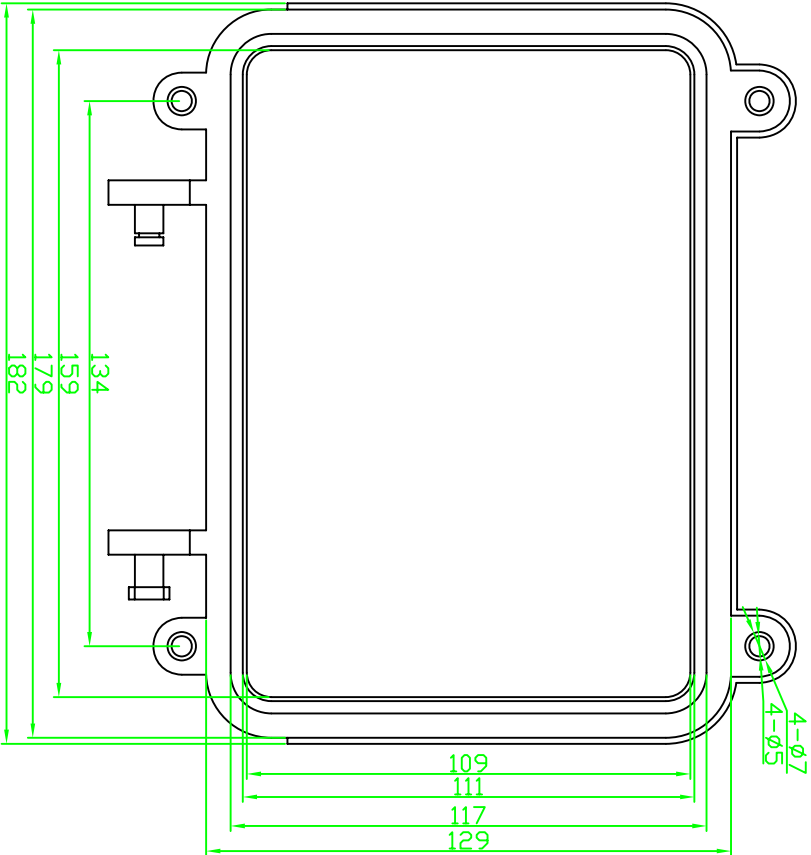
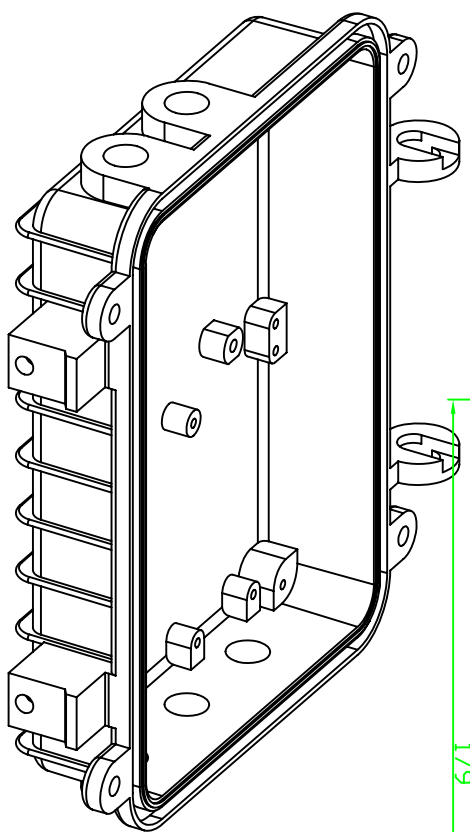
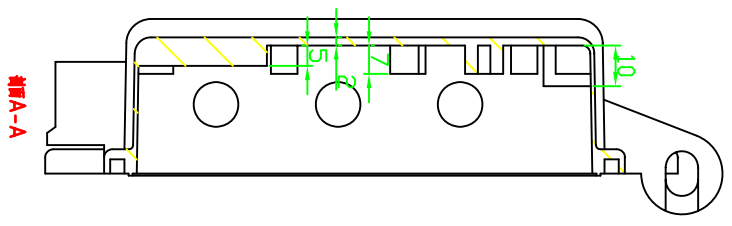
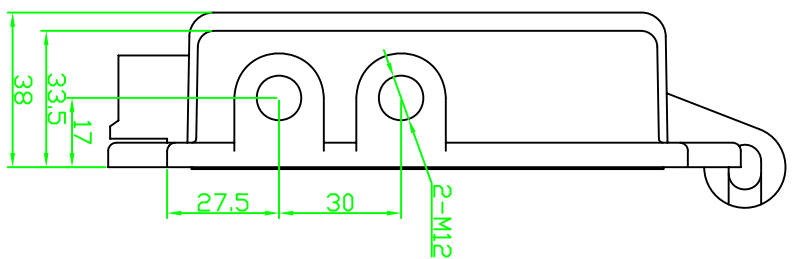
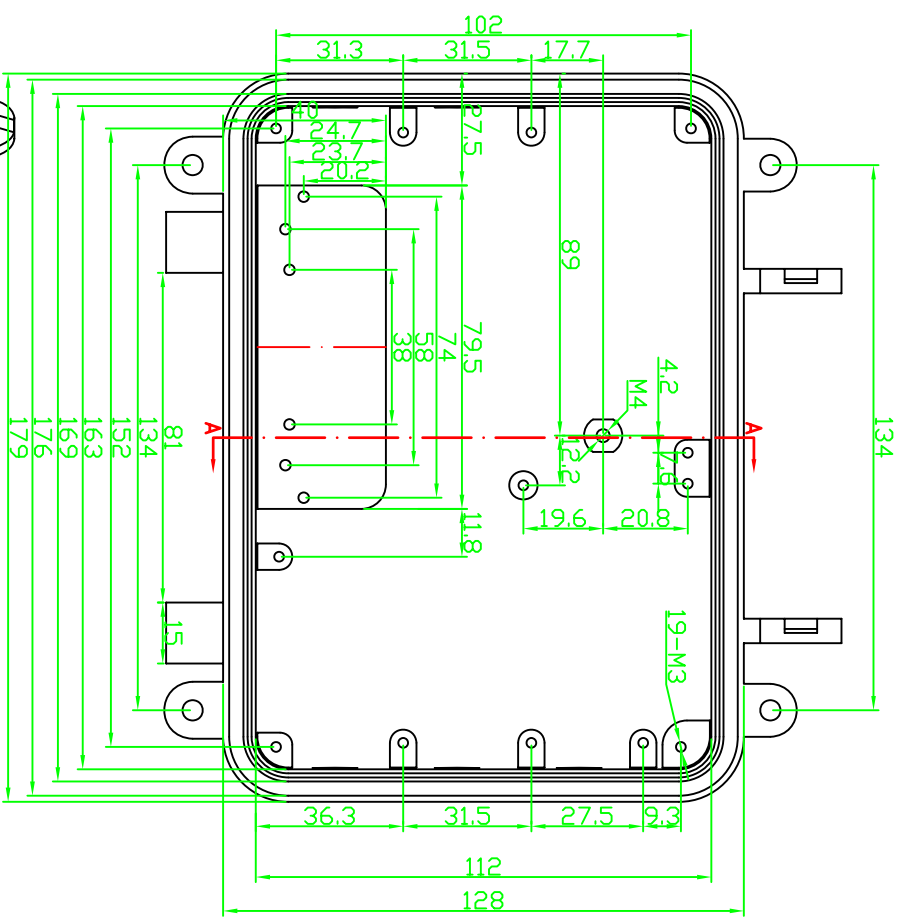
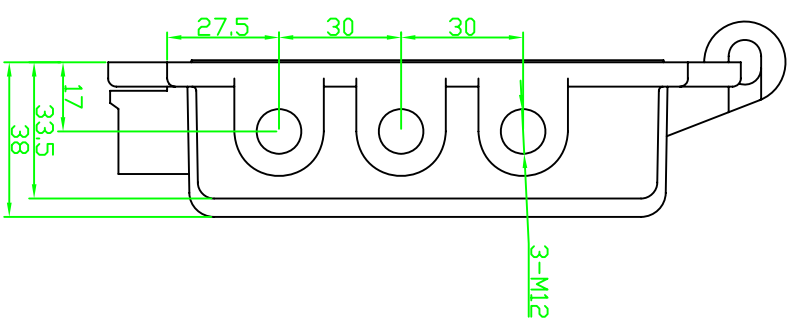


REVISION RECORD				
REV	ECD	DESCRIPTION	DRFT	CHKD



DETACHED LISTS		NAME	DATE
MM	0.1 ± 0.3	DRAWN	06/09/2014
MM	0.05 ± 0.02	CHECKED	
MM	0.00 ± 0.01	ENG APPR	
ANGLES ± 5°		MATERIAL	AL
FIRST ANGLE PROJECTION		QTY	1
		FINISH	
		SCALE	1:1
埃弗勒斯 EVEREST WWW.EVERESTCASE.COM			
TITLE			
AAP003A-S			
DRAWING NO. AAP003A-S		SIZE	
/PART NO. 00		A4	
DD NOT SCALE DRAWING		REV	
		SHEET 1 OF 1	

REVISION RECORD				
REV	ECD	DESCRIPTION	DRFT	CHKD



DETACHED LISTS		NAME	DATE
 FIRST ANGLE PROJECTION	ANGLE ± 5° TOLERANCES EXCEPT AS NOTED MM 0.1 ± 0.3 0.05 ± 0.2 0.020 ± 0.1	DRAWN A.A.P./C.N	06/05/2014
 FINISH:	MATERIAL: AL QTY: 1	CHECKED ENG APPR	
TITLE		埃弗勒斯 EVEREST WWW.EVERESTCASE.COM	
DRAWING NO. AAP003A-X		DRAWING NO. AAP003A-X	
/PART NO. 00		/PART NO. 00	
DD NOT SCALE DRAWING		DD NOT SCALE DRAWING	
SHEET 1		SHEET 1	
OF 1		OF 1	