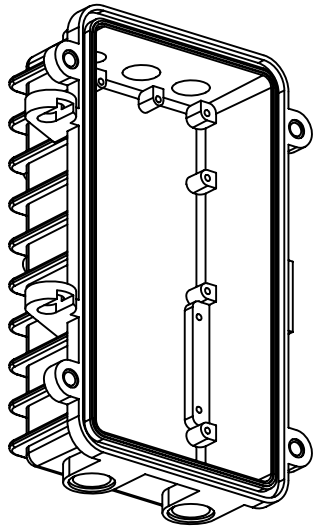
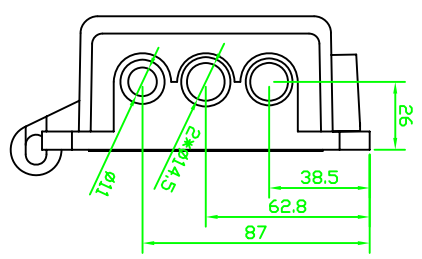
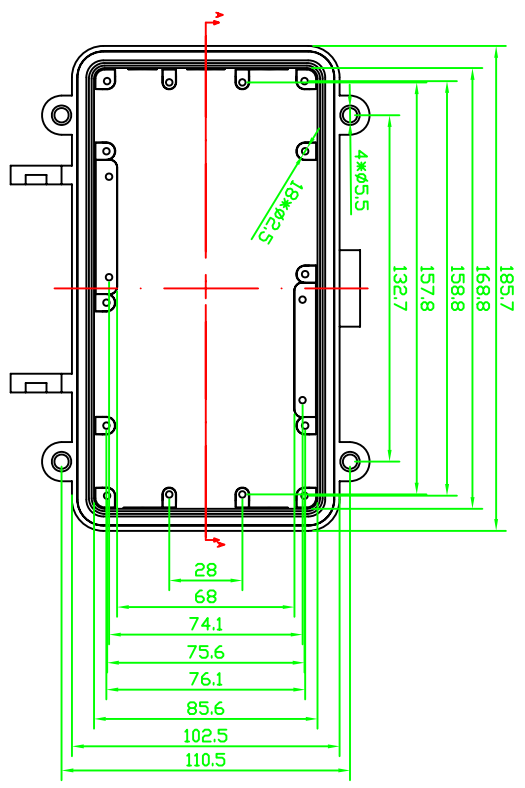
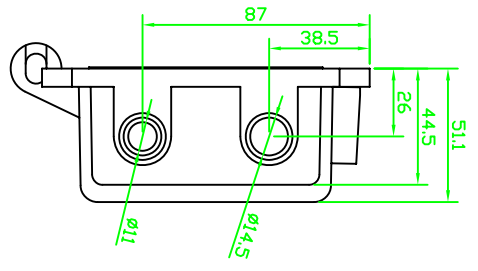
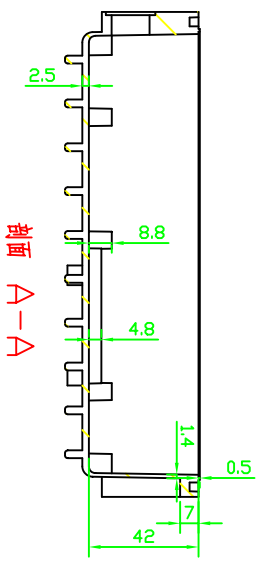


REVISION RECORD			
REV	ECD	DESCRIPTION	DRFT



DETACHED LISTS			
UNIT	MIN	MAX	UNIT
ANGLE	± 5°		MIN
TOLERANCE	EXCEPT AS NOTED		MIN
MM	± 0.3	±	MIN
	± 0.2	±	MIN
	± 0.1	±	MIN

DATE	DATE	DATE	DATE
DRFT	CHKD	MFD	APPVL
MATERIAL: AL			
QTY: 1			
FINISH:			
SCALE: 1:3			

		EVEREST WWW.EVERESTCASE.COM	
TITLE			
AAP009A			
DRAWING NO. AAP009A		SIZE	
/PART NO. 00		A4	
DD NOT SCALE DRAWING		REV	
SHEET 1		OF 1	