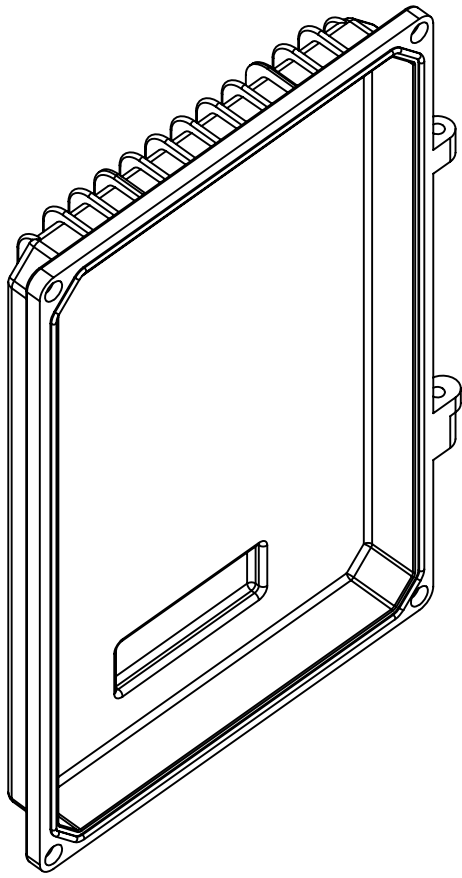
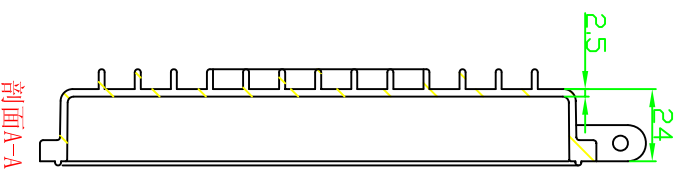
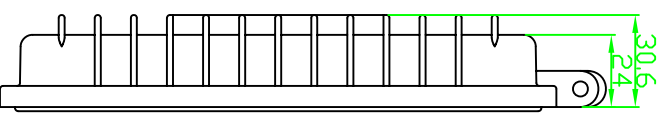
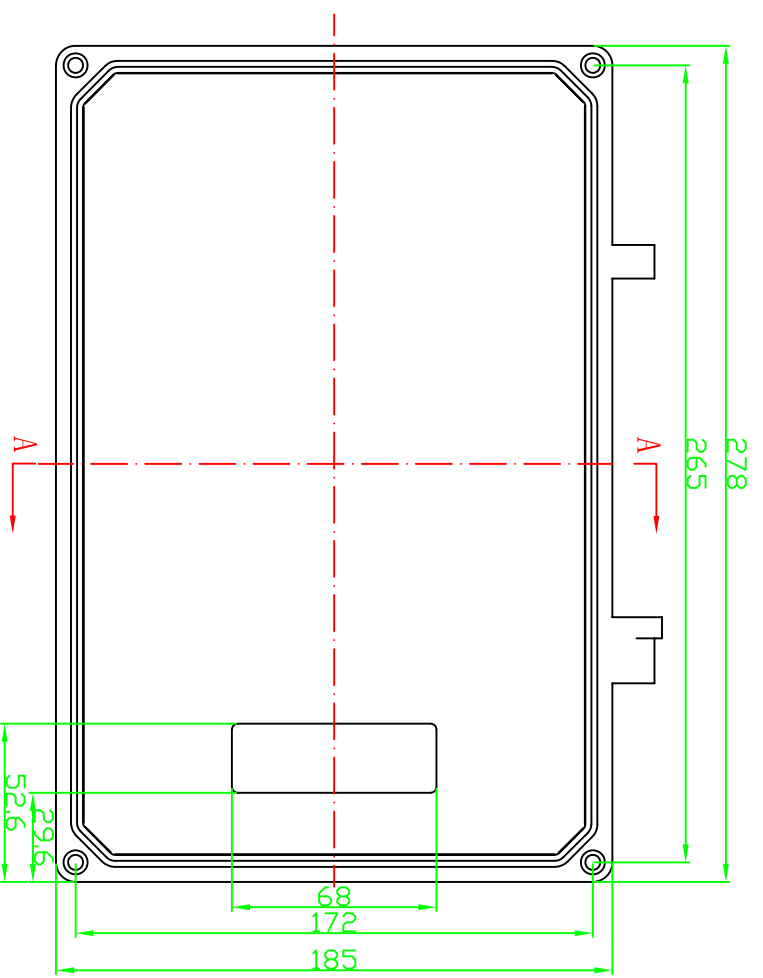


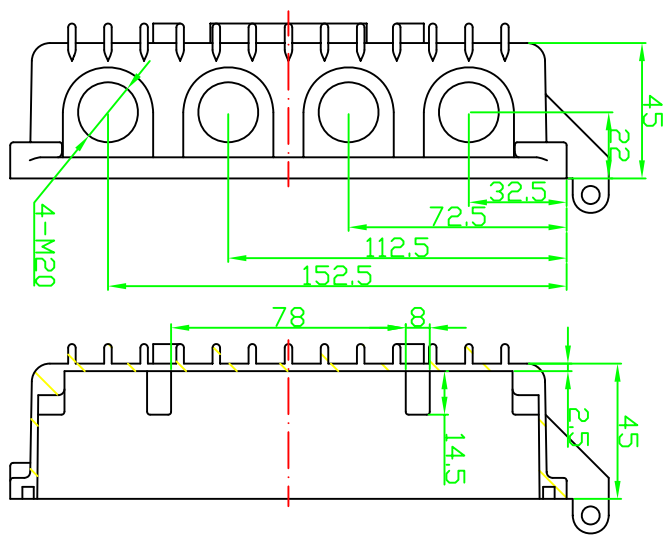
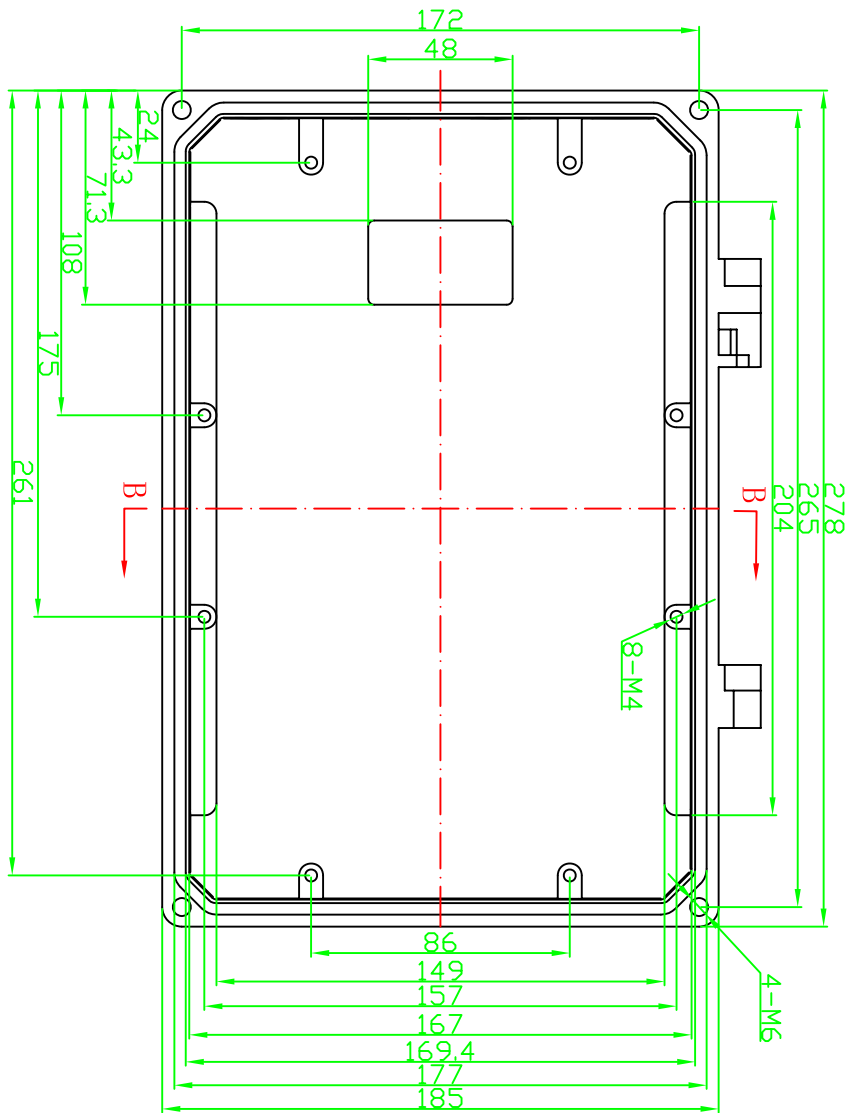
REVISION RECORD				
REV	ECD	DESCRIPTION	DRFT	CHKD



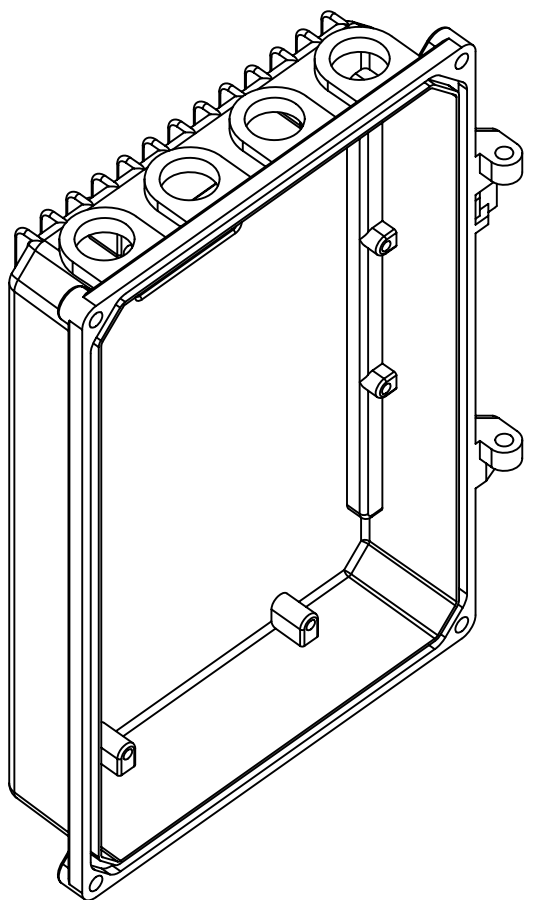
DETACHED LISTS		DATE	DATE
DRFTD	CHKD	DATE	DATE
MFD	APPVL	DATE	DATE
MATERIAL: AL		DATE	
QTY: 1		DATE	
FINISH:		DATE	
SCALE: 1:1		DATE	
FIRST ANGLE PROJECTION		DATE	
ANGLES ± 5°		DATE	
TOLERANCES EXCEPT AS NOTED		DATE	
MM	±	MM	±
0.1 ± 0.3	±	0.1 ± 0.3	±
0.01 ± 0.02	±	0.01 ± 0.02	±
0.00 ± 0.01	±	0.00 ± 0.01	±

		EVEREST WWW.EVERESTCASE.COM	
TITLE			
AAP020-S			
DRAWING NO. AAP020-S		SIZE	
/PART NO.		A4	
DD NOT SCALE DRAWING		REV	
SHEET X		OF Y	

REVISION RECORD			
REV	ECD	DESCRIPTION	DRFT



剖面B-B



DETACHED LISTS									
<table border="1"> <tr> <td>MM</td> <td>INCH</td> </tr> <tr> <td>0.1 ± 0.03</td> <td>±</td> </tr> <tr> <td>0.05 ± 0.02</td> <td>±</td> </tr> <tr> <td>0.02 ± 0.01</td> <td>±</td> </tr> </table>	MM	INCH	0.1 ± 0.03	±	0.05 ± 0.02	±	0.02 ± 0.01	±	TOLERANCES EXCEPT AS NOTED ANGLES ± 5° FIRST ANGLE PROJECTION
MM	INCH								
0.1 ± 0.03	±								
0.05 ± 0.02	±								
0.02 ± 0.01	±								
<table border="1"> <tr> <td>DRFTD</td> <td>DATE</td> </tr> <tr> <td>CHKD</td> <td>DATE</td> </tr> <tr> <td>MFD</td> <td>DATE</td> </tr> <tr> <td>APPVL</td> <td>DATE</td> </tr> </table>	DRFTD	DATE	CHKD	DATE	MFD	DATE	APPVL	DATE	MATERIAL: AL QTY: 1 FINISH:
DRFTD	DATE								
CHKD	DATE								
MFD	DATE								
APPVL	DATE								
DD NOT SCALE DRAWING	DD NOT SCALE DRAWING								

埃弗勒斯
EVEREST
WWW.EVERESTCASE.COM

TITLE
AAP020-X

DRAWING NO. AAP020-X
/PART NO.
SIZE A4
REV

SHEET X OF Y