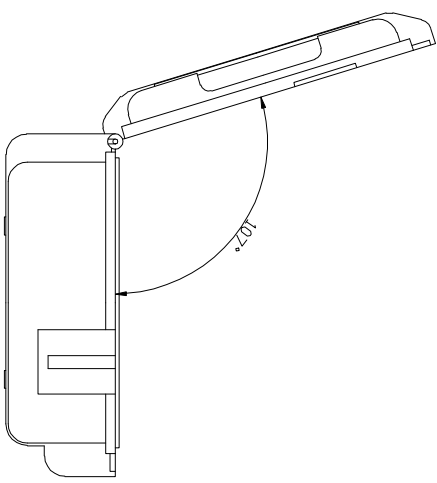
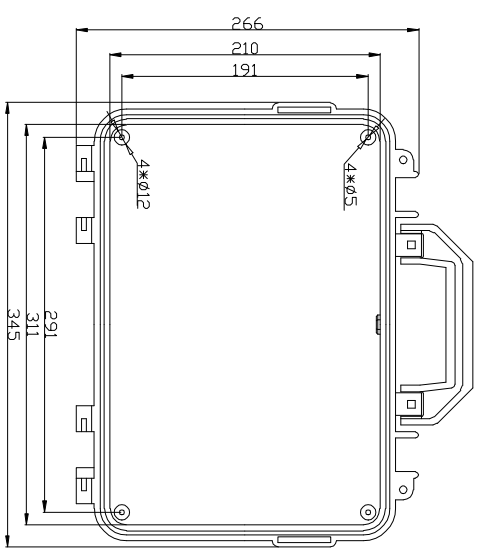
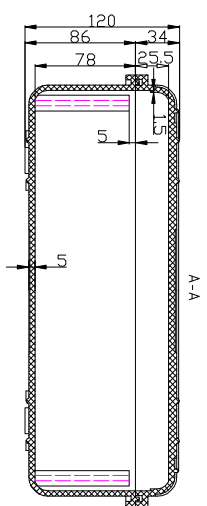
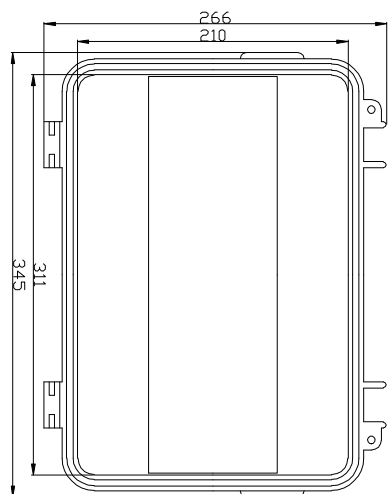
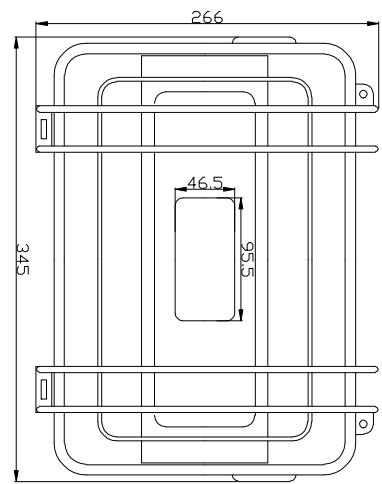
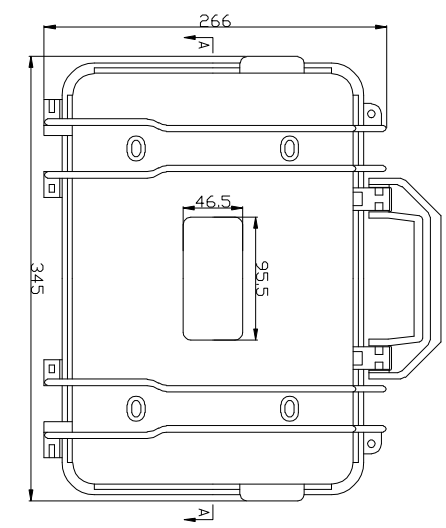


REVISION RECORD				
REV	ECO	DESCRIPTION	DRFT	CHKD



DETACHED LISTS		DF-TD	DATE
 THIRD ANGLE PROJECTION	 TOLERANCES EXCEPT AS NOTED	CHKD	DATE
 ANGLES ± 5°	 FINISH	APPL	DATE
 MATERIAL: <b>ABS</b>	 QTY:	DATE	DATE
 TITLE: <b>EPC019A</b>	 DRAWING NO: <b>EPC019A</b>	DATE	DATE
 PART NO: <b>00</b>	 SCALE: 1:1	DATE	DATE
 SIZE: <b>A4</b>	 REV:	DATE	DATE

**EVEREST**  
WWW.EVERESTCASE.COM

**EPC019A**

**00**

SHEET 1 OF 1