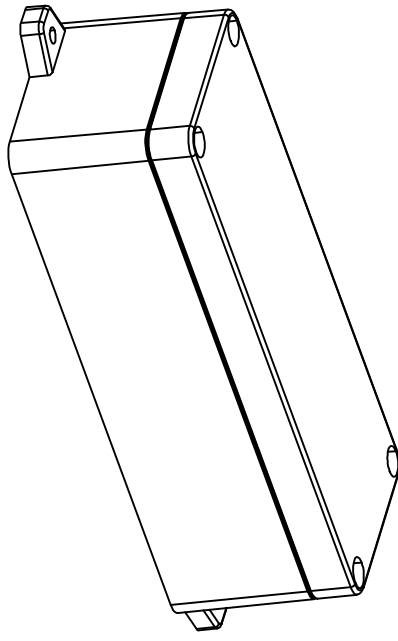
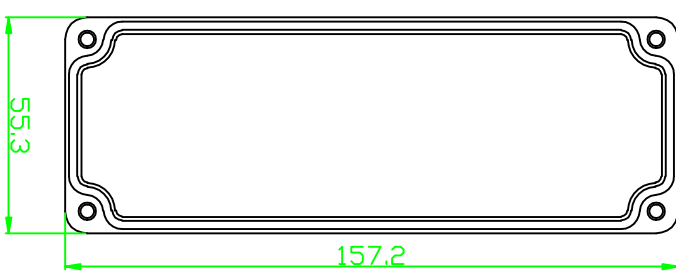
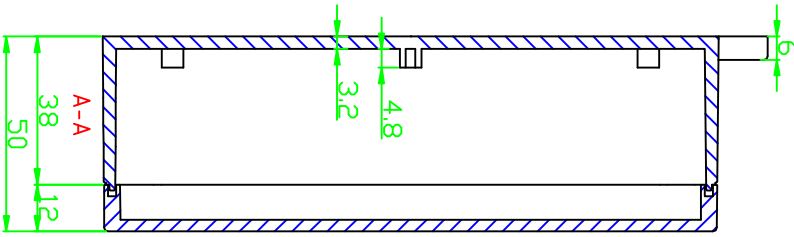
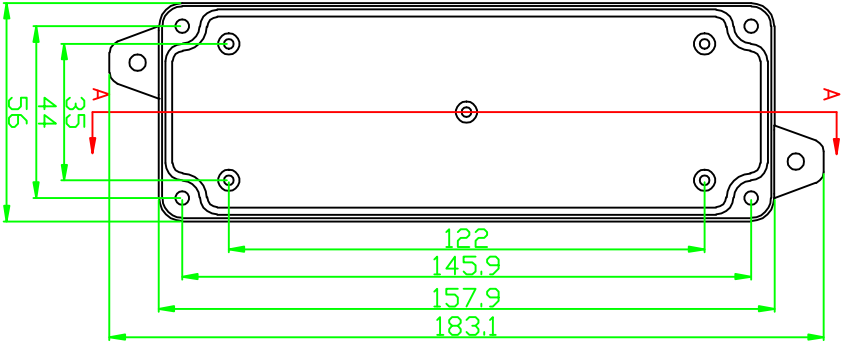


REVISION RECORD			
REV	ECD	DESCRIPTION	DRFT CHKD



DETACHED LISTS		TOLERANCES EXCEPT AS NOTED	
MM	±	MM	±
0.05	±	0.05	±
0.1	±	0.1	±
0.2	±	0.2	±
0.5	±	0.5	±
1.0	±	1.0	±
2.0	±	2.0	±
5.0	±	5.0	±
10.0	±	10.0	±
20.0	±	20.0	±
50.0	±	50.0	±
100.0	±	100.0	±
200.0	±	200.0	±
500.0	±	500.0	±
1000.0	±	1000.0	±
ANGLES ± 5°		FIRST ANGLE PROJECTION	
DRAWN: KENT		DATE: 10/21/2015	
CHECKED: [blank]		NAME: KENT	
ENG APPR: [blank]		MATERIAL: ABS	
MATERIAL: ABS		TITLE: 埃弗勒斯 EVEREST	
FINISH: [blank]		DRAWING NO: PW164-S	
SCALE: 1:1		/PART NO: 00	
SCALE: 1:1		SIZE: A4	
SCALE: 1:1		REV: [blank]	
SCALE: 1:1		SHEET: 1 OF 1	
SCALE: 1:1		WWW.EVERESTCASE.COM	