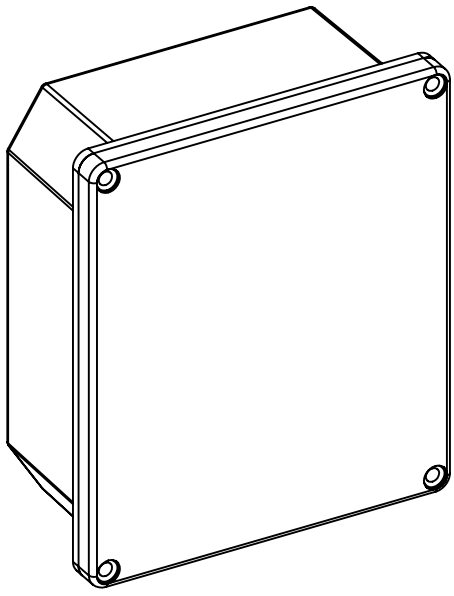
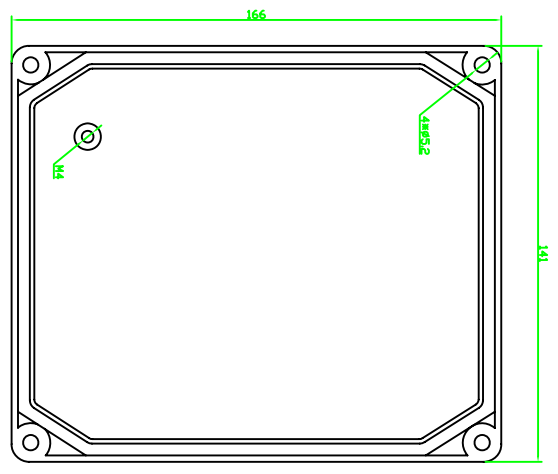
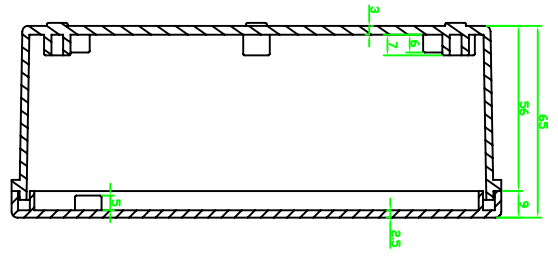
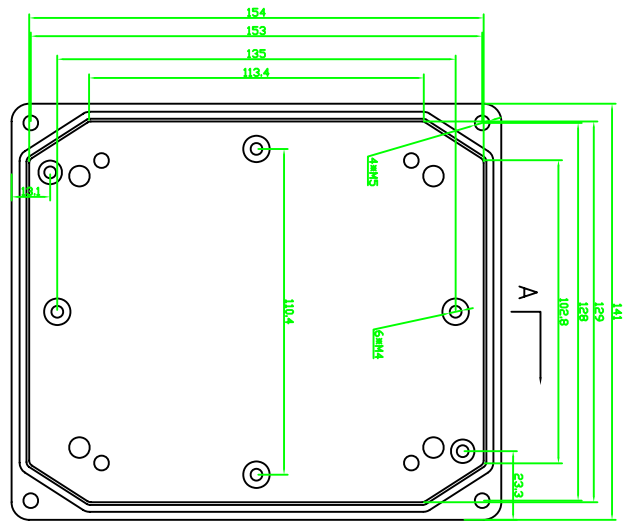


REVISION RECORD				
REV	ECD	DESCRIPTION	DRFT	CHKD



DETACHED LISTS		DATE	DATE
MM	MM	DATE	DATE
0.1 ± 0.3	±	DATE	DATE
0.00 ± 0.02	±	DATE	DATE
0.00 ± 0.1	±	DATE	DATE
ANGLES ± 5°		DATE	
TOLERANCES EXCEPT AS NOTED		DATE	
FIRST ANGLE PROJECTION		DATE	
MATERIAL: AL		DATE	
FINISH:		DATE	
SCALE: 1:1		DATE	
DRAWING NO. AW062		DATE	
/PART NO. 00		DATE	
DD NOT SCALE DRAWING		DATE	

埃弗斯
EVEREST
WWW.EVERESTCASE.COM

TITLE
AW062

SIZE
A4
REV
OF 1