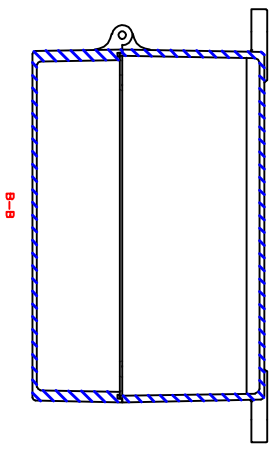
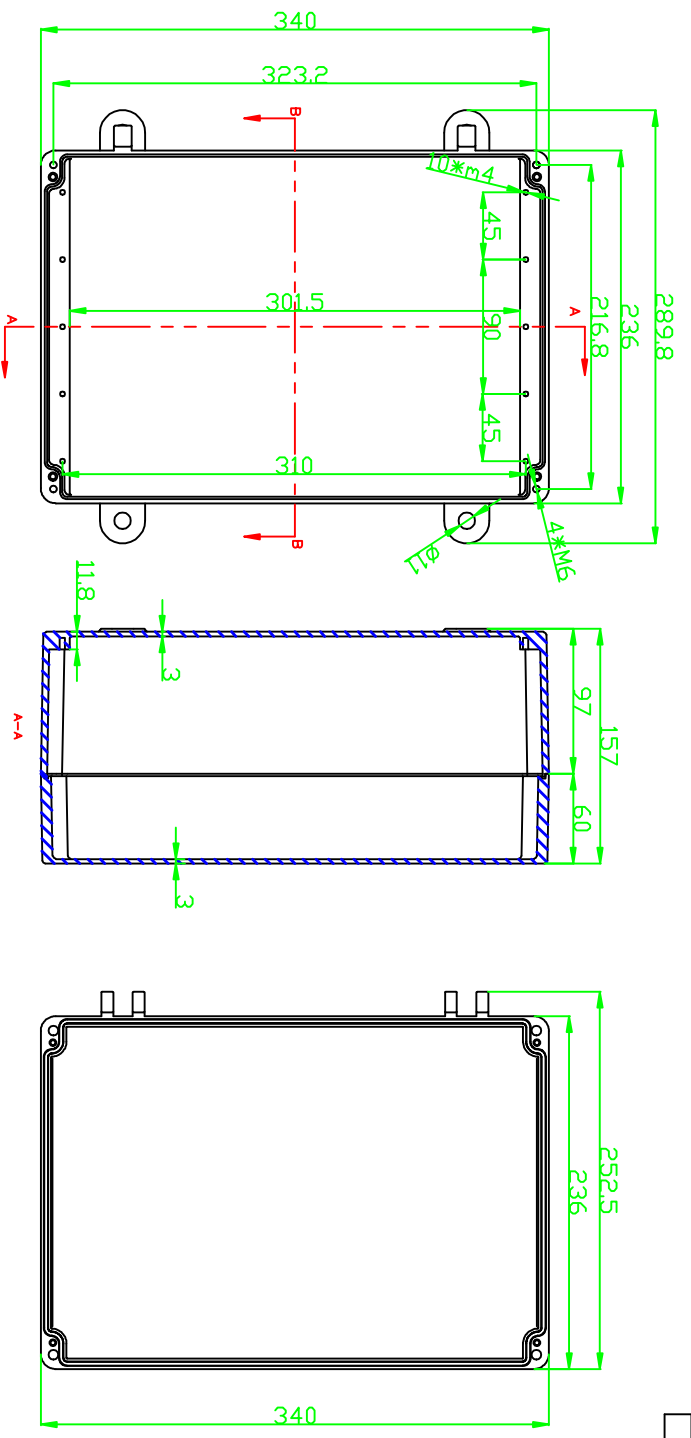
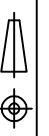


REVISION RECORD				
REV	ECD	DESCRIPTION	DRFT	CHKD



DETACHED LISTS		NAME		DATE	
 FIRST ANGLE PROJECTION	TOLERANCES EXCEPT AS NOTED MM 0.2 ± 0.3 .000 ± 0.1	DRAWN	Jonse	12/09/2014	
ANGLES ± 5°	CHECKED ENG/AFPR	ENG/AFPR			
MATERIAL: AL	QT/Y: 1				
FINISH:	TITLE:				
SCALE: 1:1	DRAWING NO: AW083				
DD NOT SCALE DRAWING	/PART NO: 00				
SHEET 1	SIZE: A4				
OF 1	REV:				



EVEREST

 WWW.EVERESTCASE.COM

AW083