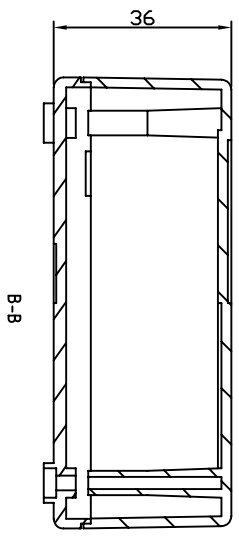
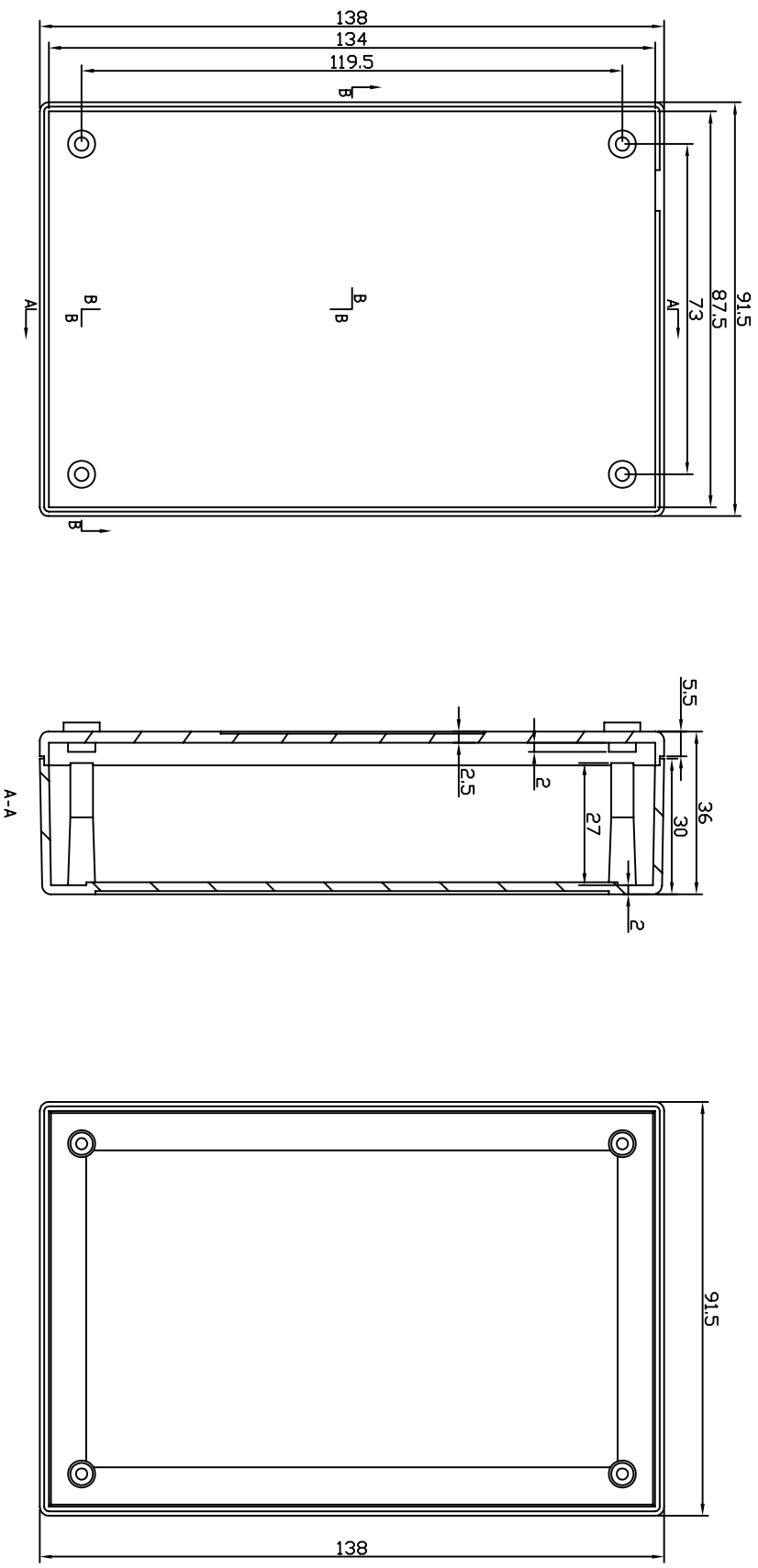


REVISION RECORD				
REV	ECD	DESCRIPTION	DRFT	CHKD



DETACHED LISTS			
 THIRD ANGLE PROJECTION	TOLERANCES EXCEPT AS NOTED MM 0.1 ± 0.3 .01 ± 0.2 .001 ± 0.1	ANGLES ± 5° ± ±	DRFTD CHKD WFD APPV/L
	DATE DATE DATE DATE	MATERIAL : ABS QT'Y : FINISH : SCALE : 1:1	TITLE 埃弗勒斯 EVEREST WWW.EVERESTCASE.COM
SIZE A4	REV OF 1	SHEET 1	SHEET 1 OF 1