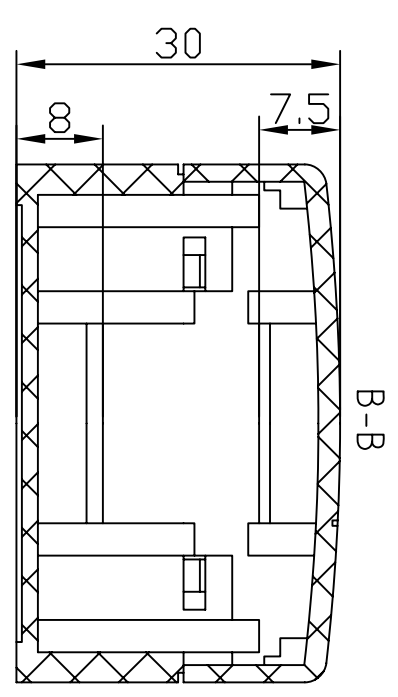
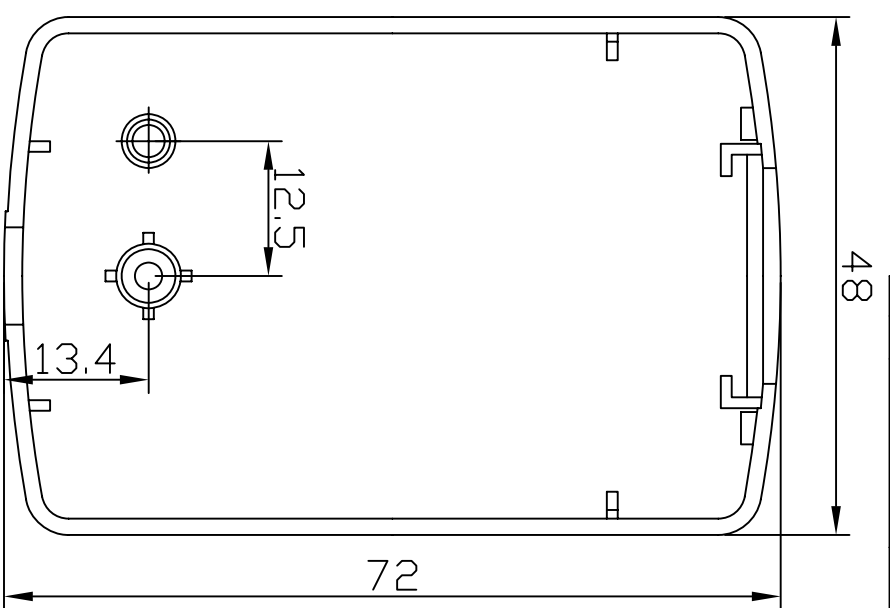
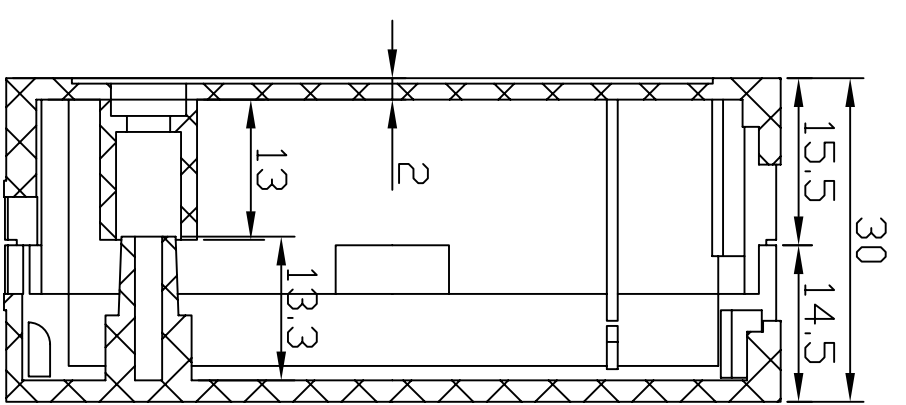
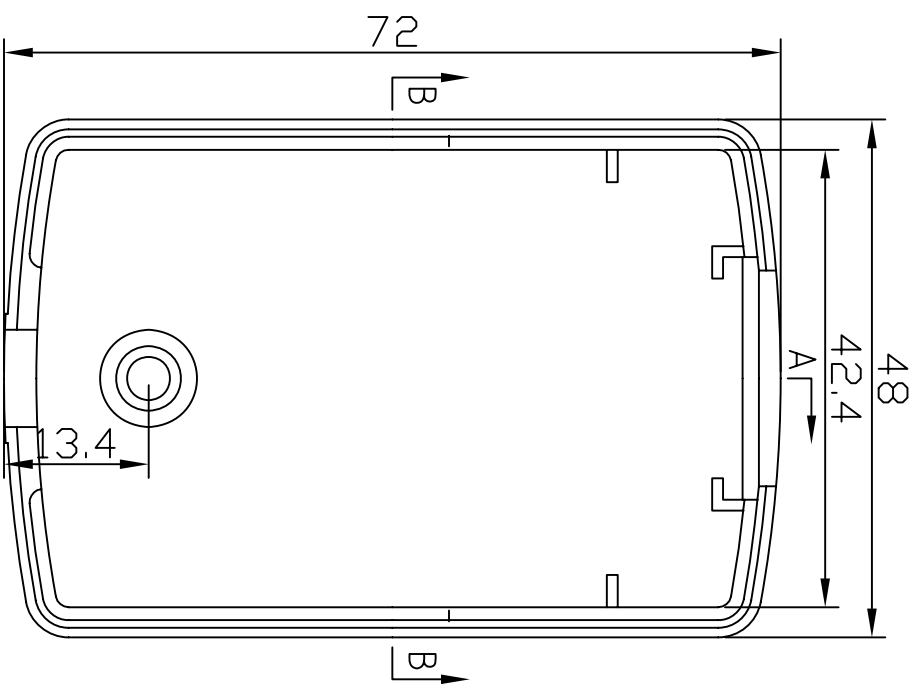


REVISION RECORD				
REV	ECD	DESCRIPTION	DRFT	CHKD



DETACHED LISTS		TOLERANCES EXCEPT AS NOTED		DRFTD	
MM	(INCH)	MM	(INCH)	CHKD	DATE
0 ± 0.3					
.00 ± 0.02					
0.00 ± 0.01					
ANGLES ± 5°		APPLY			
THIRD ANGLE PROJECTION		MATERIAL: ABS			
SCALE: 1:1		DRAWING NO. PC021			
		/PART NO. 00			
		DID NOT SCALE DRAWING			
		SHEET 1 OF 1			

埃弗勒斯
EVEREST
WWW.EVERESTCASE.COM

PC021

SIZE
A4
REV