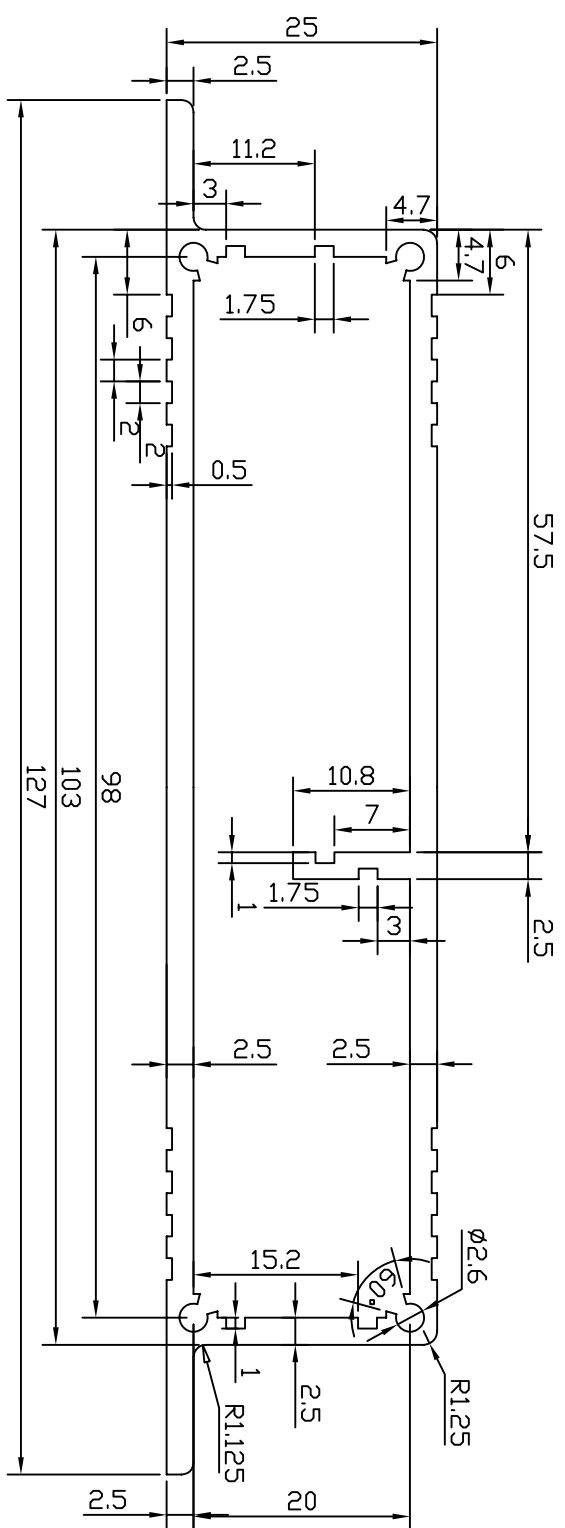


REVISION RECORD				
REV	ECD	DESCRIPTION	DRFT	CHKD



DETACHED LISTS		DATE	DATE	DATE	DATE
MM	0 ± 0.3	MM	0 ± 0.2	MM	0 ± 0.1
INCH	±	INCH	±	INCH	±
TOLERANCES EXCEPT AS NOTED		DRFTD	CHKD	DATE	DATE
ANGLES ± 5°		APPVL	DATE	DATE	DATE
THIRD ANGLE PROJECTION		MATERIAL: AL		TITLE: AEH072	
SCALE: 1:1		FINISH:		DRAWING NO: AEH072	
				/PART NO: 00	
				SIZE: A4	
				REV:	
				SHEET 1 OF 1	

埃弗勒斯
EVEREST
WWW.EVERESTCASE.COM