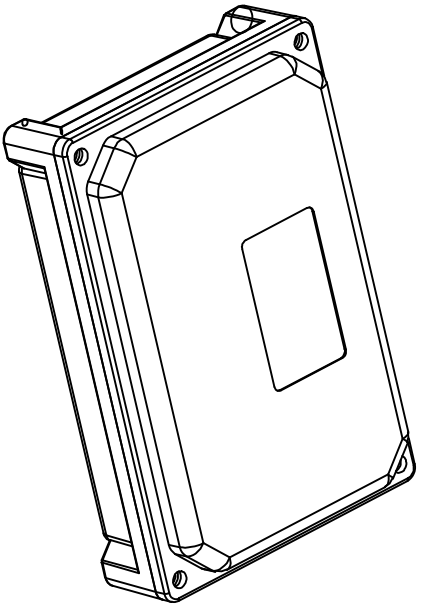
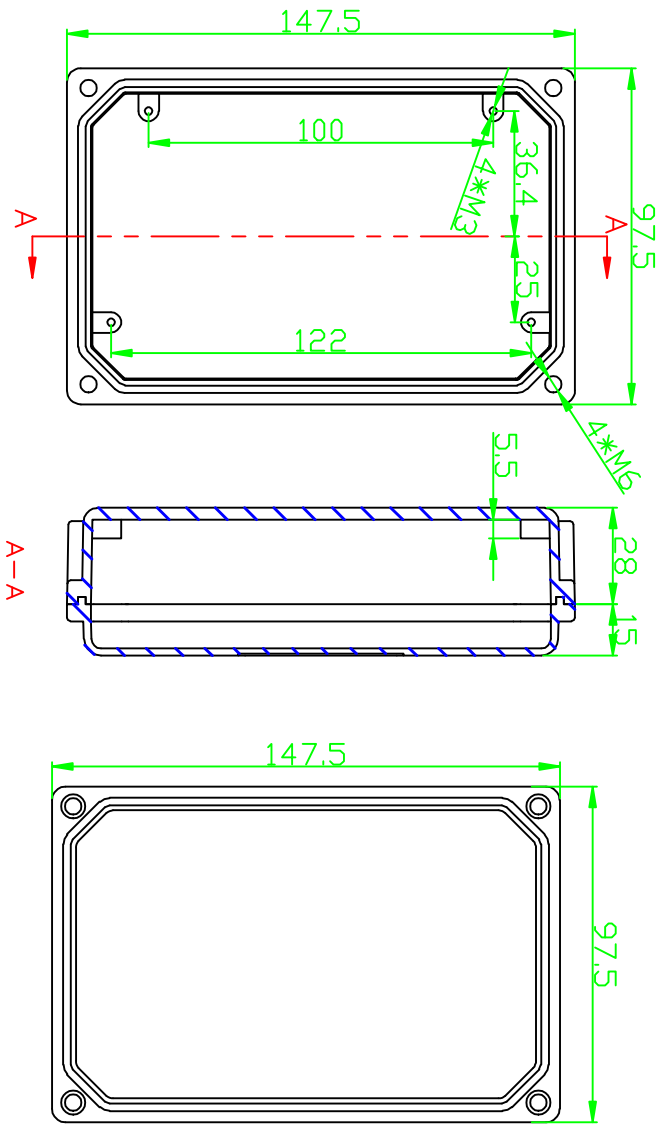


REVISION RECORD				
REV	ECD	DESCRIPTION	DRFT	CHKD



DETACHED LISTS		MM (INCH)		DRAWN		NAME		DATE	
TOLERANCES EXCEPT AS NOTED		MM		CHECKED					
0 ± 0.3		±		ENG APPR					
0.01 ± 0.02		±							
0.00 ± 0.01		±							
ANGLES ± 5°				MATERIAL: AL					
FIRST ANGLE PROJECTION		SCALE: 1:1		FINISH:					
DRAWING NO. AW043		PART NO. 00		TITLE					
DID NOT SCALE DRAWING		SHEET 1		OF 1					
		SIZE A4		REV					



EVEREST

 WWW.EVERESTCASE.COM