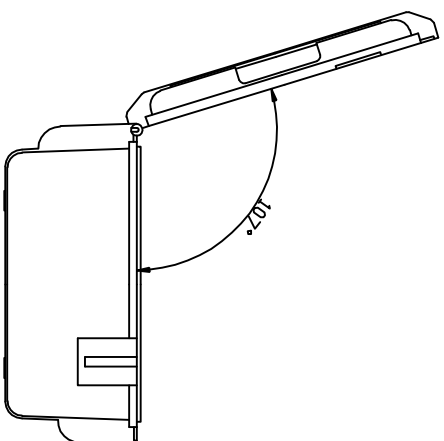
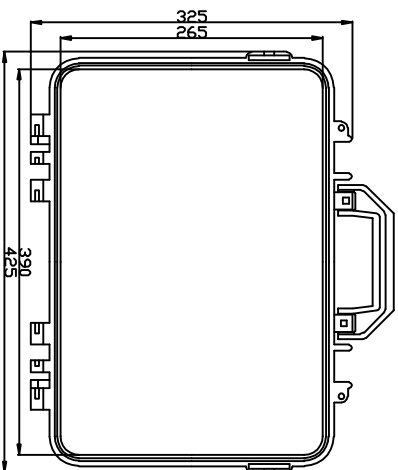
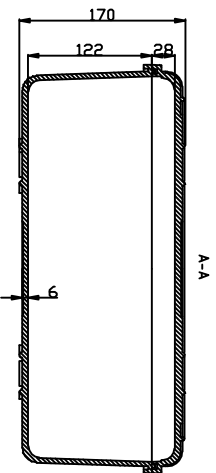
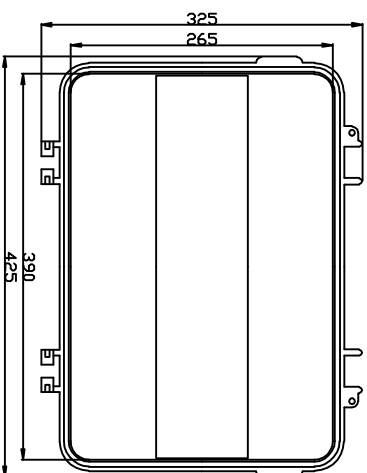
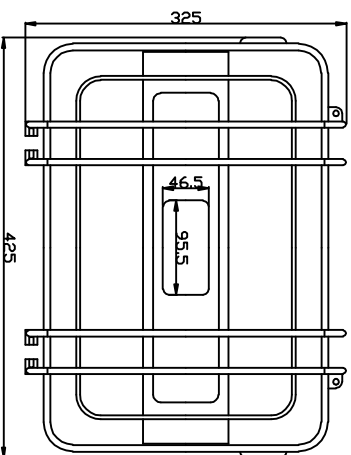
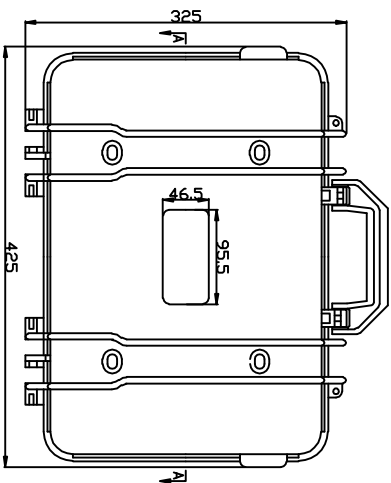



BASIC SIZE	0-3	>3-6	>6-10	>10-18	>18-30	>30-50	>50-80	>80-120	>120-180	>180-250
DIMS TOLERANCE	±0.14	±0.18	±0.22	±0.27	±0.33	±0.39	±0.46	±0.54	±0.63	±0.72



THE MACHINING TOLERANCES		NAME	DATE
UNSPECIFIED TOLERANCES FOLLOW GB/1804-1992 IT13	DRAWN		
FINISH TOLERANCES	CHECKED		
THE ANGLE TOLERANCES	ENG APPR		
FIRST ANGLE PROJECTION	SCALE	UNIT	
±1°	1:1	mm	
QTY	1		
DD NOT SCALE DRAWING		SHEET 1	OF 1
 DRX EVEREST WWW.EVERESTCASE.COM		TITLE	EVEREST CASE
		MATERIAL	ABS
		/PART NO	EPC014